

# Suspension rings

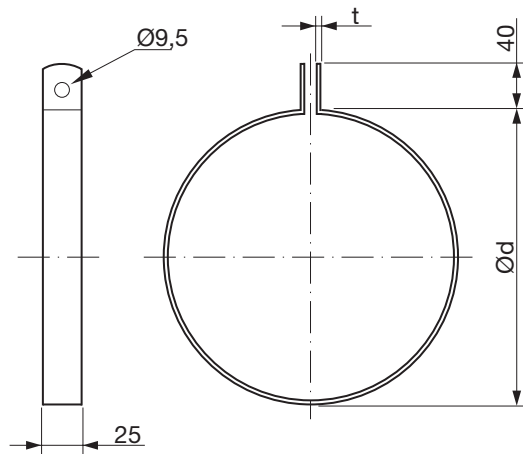
# UV25



## Description

For suspension of circular ducting. For insulated duct it is recommended that the suspension ring is mounted inside the insulation.

## Dimensions



Ød nom	t [mm]	m [kg]
80 *	2,0	0,13
100 *	2,0	0,15
125 *	2,0	0,18
160 *	2,0	0,22
200 *	2,0	0,27
250 *	2,0	0,33
315 *	2,0	0,41
355 *	2,0	0,46
400 *	2,0	0,52
450 *	2,0	0,58
500 *	2,0	0,64
560 *	2,0	0,71
630 *	2,0	0,80

Can also be delivered in additional sizes.

\* Can also be delivered in stainless steel 4404.

## Ordering example

Product	UV25	200
Dimension Ød		

# Suspension rings

UV25

## Technical data

Max recommended load for different fire classes.

Installation	Ventilation system					Smoke control system
	R0 no fire class kg	R15 kg	R30 kg	R45 kg	R60 kg	
Dim						600 °C 120 min. kg
80-315	80	80	80	80	80	80
400-1250	80	-	-	-	-	-