

Regulating damper

DRU



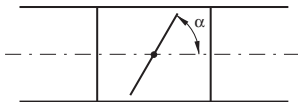
Description

Has a turning, cut-off blade. The blade is stepless adjustable 0–90°. The damper admits an insulation thickness of approx. 50 mm.

The blade is designed to generate a minimum of noise. The noise is approx. the same as for a perforated blade. But the blade is less sensitive to clogging since it lacks perforations.

Setting angle α

$\alpha = 0^\circ =$ open blade, $\alpha = 90^\circ =$ closed blade



There is a separate assembly, measuring, balancing and maintenance instruction for this product.

Ø 80–1000 fullfills pressure class A in closed position.

The cup at Ø 80–630 can be complemented with the special insulation cup IK at insulation thicker than 50 mm.

Reinforced blade

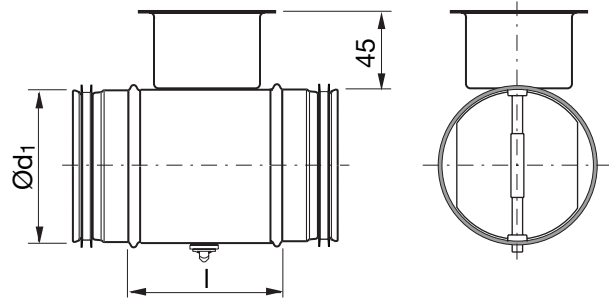


Ordering example

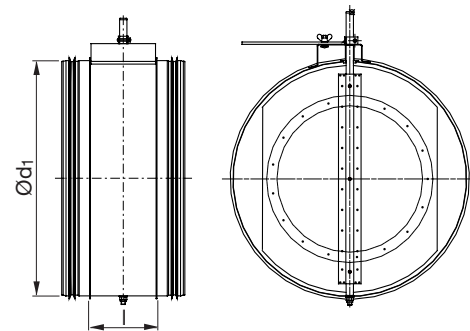
Product DRU 125
 Dimension Ød₁

Dimensions

Ø 80–630



Ø 710–1000



Ød ₁ nom	l [mm]	m [kg]	Sealing class past closed blade
80	100	0,34	0
100	100	0,40	0
112	100	0,43	0
125	100	0,46	0
140	100	0,54	0
150	100	0,60	0
160	100	0,65	0
180	100	0,69	0
200	100	0,80	0
224	100	0,90	0
250	100	1,28	0
280	100	1,40	0
300	100	1,62	0
315	100	1,70	0
355	100	2,01	0
400	100	2,82	0
450	100	3,70	0
500	115	4,70	0
560	115	5,51	0
600	115	5,90	0
630	115	6,21	0
710	230	15,3	0
800	230	18,2	0
900	230	21,4	0
1000	230	24,4	0



Regulating damper

DRU

Property	Ø 80-315	Ø 400	Ø 500	Ø 630	Ø 710x1000
The blade is set via a knob in a protective cup.	x	x	x	x	
The setting of the blade is read against an embossed scale at the rim of the cup.	x	x	x	x	
The blade is locked with two screws, type Pozidriv (PZD2).	x	x	x	x	
The blade has reinforced locking with a sturdy wing nut.					x
The blade is reinforced.			x	x	
The blade is additionally reinforced.					x
With sturdy handle.		x	x	x	
With additionally reinforced handle.					x
With reinforced stop beads.			x	x	
The axle is reinforced.					x
The damper can be delivered prepared for motor.	x	x	x	x	
The damper can be delivered with motor.	x	x	x	x	x

Technical data

For technical data go to [LindQST](#).