

Lindab **Plexus**

Quick Installation guide



Quick Installation Guide

Plexus

Symbols



Hot water



Hand-pull



Cold water



Heavy Load - 2 man job
- It is recommended to use a "lift" for mounting.

Tools



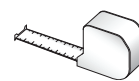
Knife



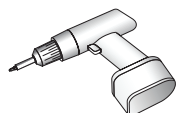
Gloves



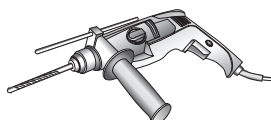
Shoes with soft soles



Tape measure



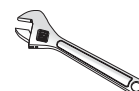
Drill machine



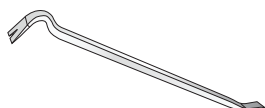
Percussion drill



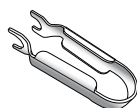
Pencil



Spanner



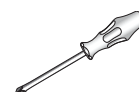
Crowbar



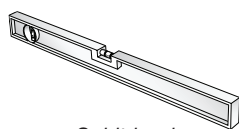
Tectite tool 12mm
(Order no: 884087)



Tectite tool small 12mm
(Order no: 646881)



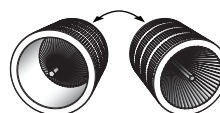
Screwdriver



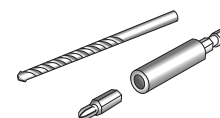
Spirit level



Lindab PC410
(Order no: 103344)



Deburring tool



Bits and drills



Vacuum cleaner

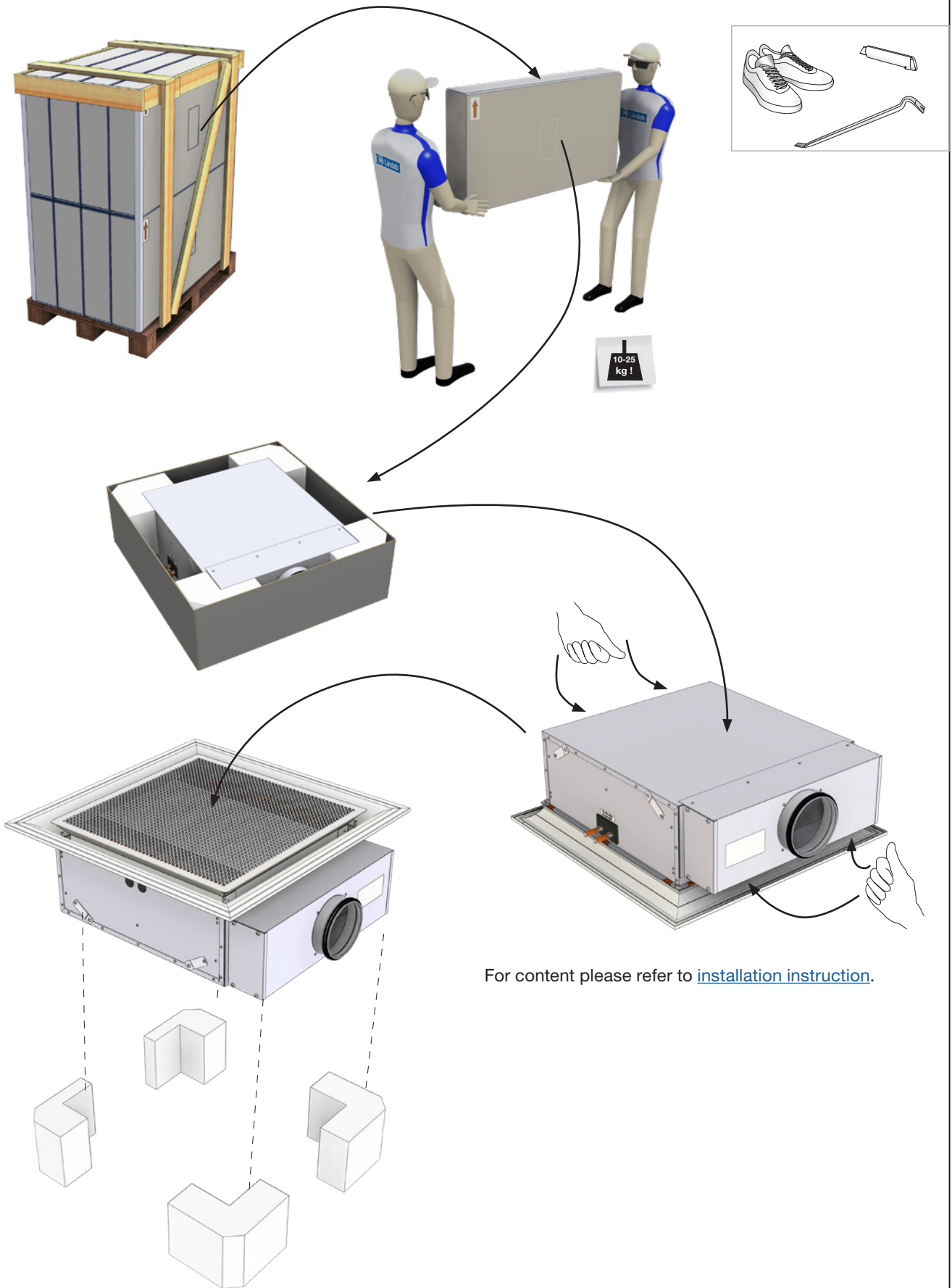


Dust-cleaner

Quick Installation Guide

Plexus

Packing and unpacking



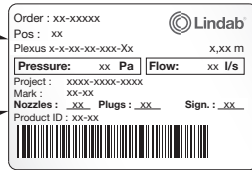
For content please refer to [installation instruction](#).

Quick Installation Guide

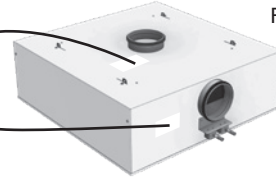
Plexus

Order code label

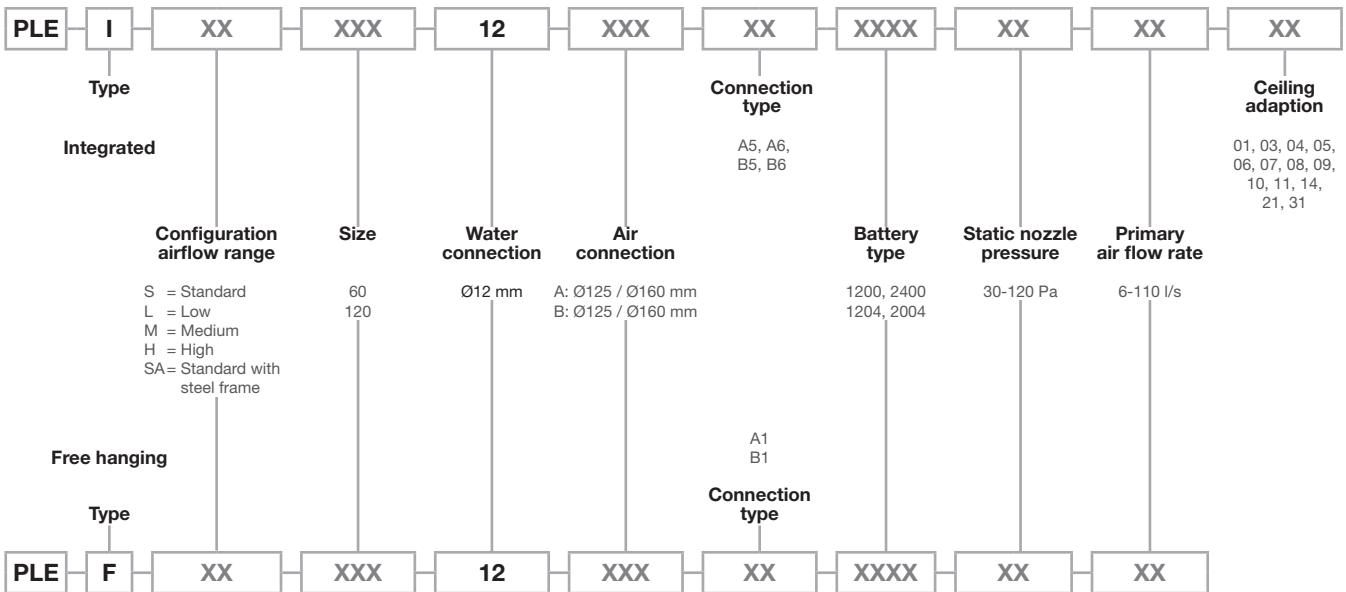
Plexus I
Integrated



Plexus F
Free hanging



Order code



Product labelling

Date	P _{stat} [Pa]	q _v [l/s]	1	2	3	4	Signature



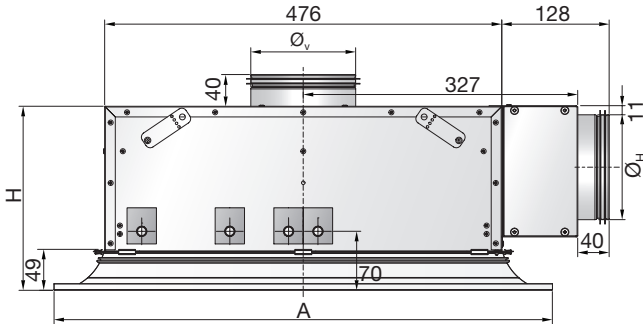
Quick Installation Guide

Plexus

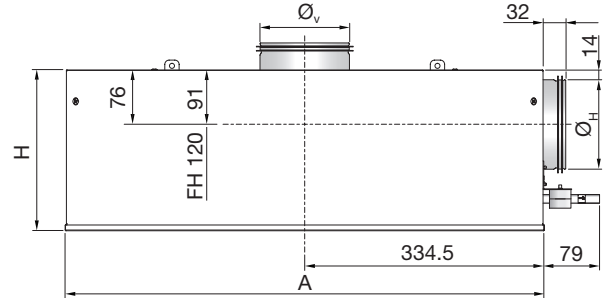
Dimensions

All dimensions in mm.

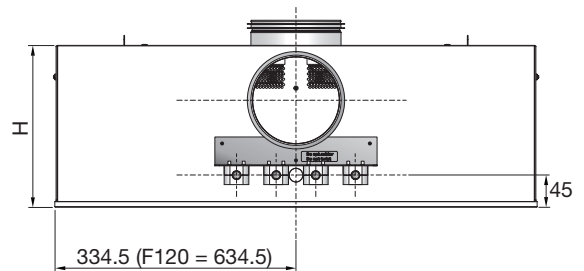
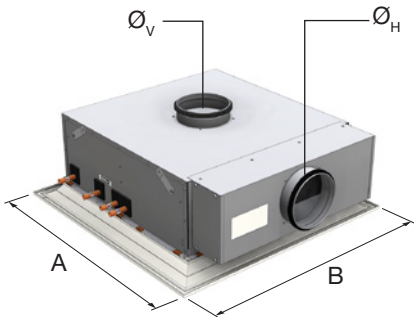
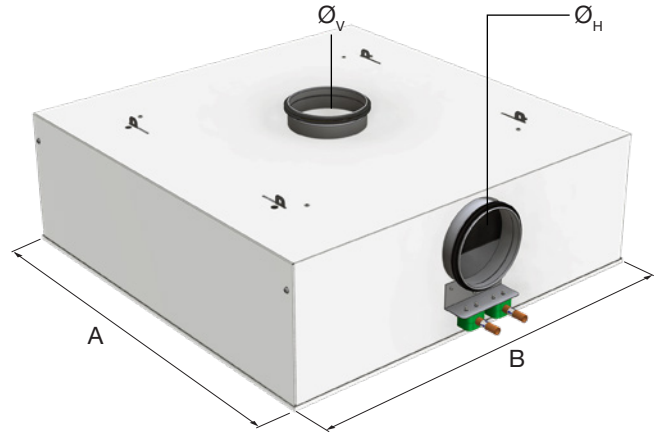
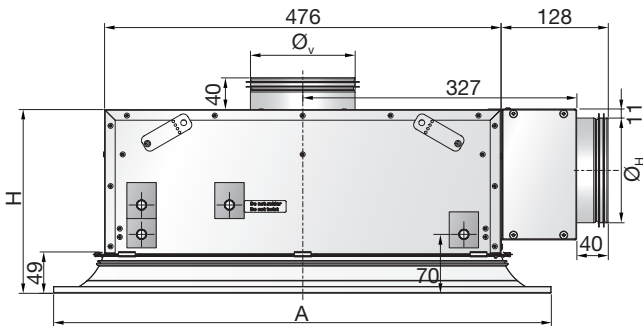
Plexus I 60



Plexus F



Plexus I 120



Type	Dimensions [mm]				
	A*	B*	H	Ø _H	Ø _V
I (S/SA) 60	594	594	220	125	125
I (L, M, H) 60	594	594	220	125	160
I (S/SA) 120	594	1194	220	125	160
I (H) 120	594	1194	250	160	N/A

Table 1. Plexus I dimensions.

Type	Dimensions [mm]				
	A	B	H	Ø _H	Ø _V
F (S) 60	669	669	225	125	125
F (L, M, H) 60	669	669	225	125	160
F S 120	669	1269	225	125	160
F H 120	669	1269	255	160	N/A

Table 2. Plexus F dimensions.

* Dimensions A and B depend on ceiling system.
See [installation instruction](#) 5.2.1.

Quick Installation Guide

Plexus

Material data

Type	Plexus
Copper pipes, quality	EN-12735-2 CU-DHP
Pressure class	PN10

Table 3. Material data.

Type	Function	Battery type CC HH	Water content [l]		
			Cooling	Heating	Total
I-60 / F-60	2-pipe	24 00			1.2
I-60 / F-60	4-pipe	20 04	1.0	0.2	1.2
I-120 / IH-120 / F-120	2-pipe	12 00			1.3
I-120 / IH-120 / F-120	4-pipe	12 04	1.3	0.4	1.7

Table 4. Water content.

Type	Function	Dry weight [kg]
		Total
I-60	2-pipe	11.6
	4-pipe	
F-60	2-pipe	17.2
	4-pipe	
I-120	2-pipe	18.6
	4-pipe	20
F-120	2-pipe	28.9
	4-pipe	30.3
IH-120	2-pipe	19.6
	4-pipe	21
FH-120	2-pipe	29.9
	4-pipe	31.3

Table 5. Weight.

Environmental Declarations

Please follow the links below.

- [Building product declaration](#)
- [Declaration of conformity](#)
- [Eurovent certificate](#)

Pressure Class

The waterborne products in Lindab, active chilled beams (battery products), passive chilled beams (battery and strips products), facade units (battery) and radiant panels (strips and panels) are produced according to pressure class PN10 according to EN 1333: 2006.

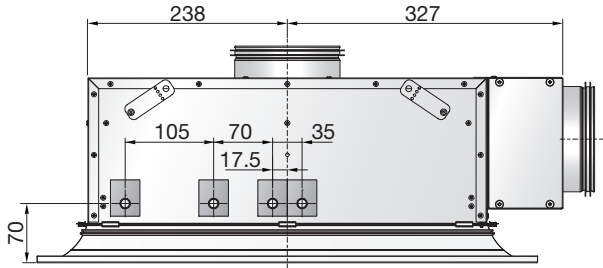
This means the maximal working pressure for the products at a water temperature of 20°C must not exceed 10 bar.

Quick Installation Guide

Plexus

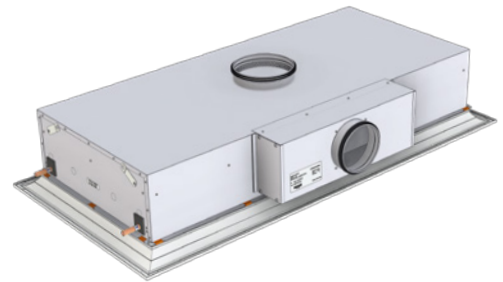
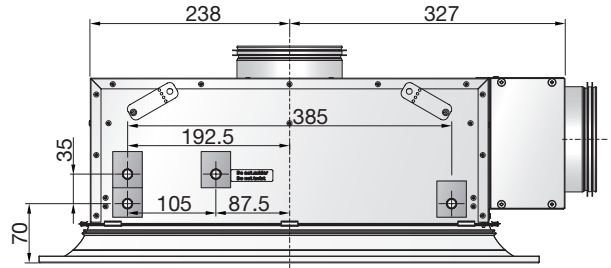
Water connections

Plexus I 60

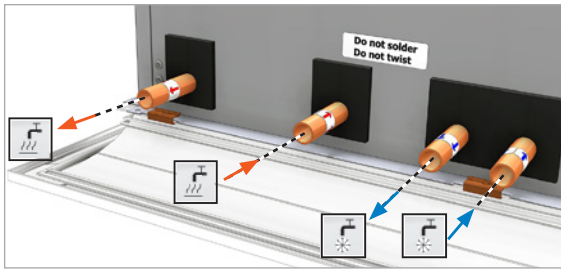
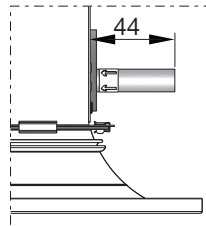


I-60: 2-pipe battery (standard).

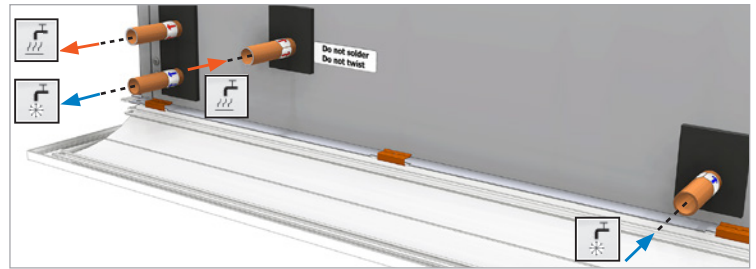
Plexus I 120



I-120: 2-pipe battery (standard).

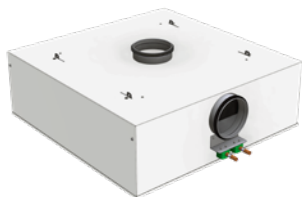


I-60: 4-pipe battery (plus-feature).

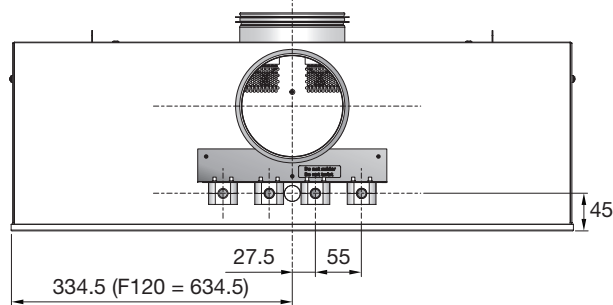


I-120: 4-pipe battery (plus-feature).

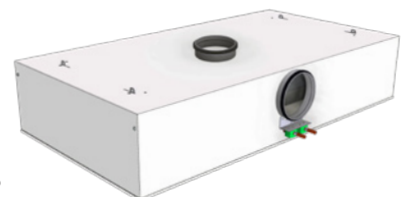
Plexus F 60



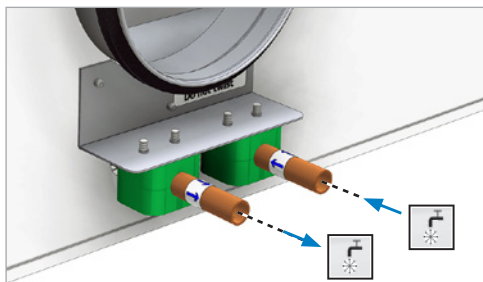
F-60: 2-pipe battery (standard).



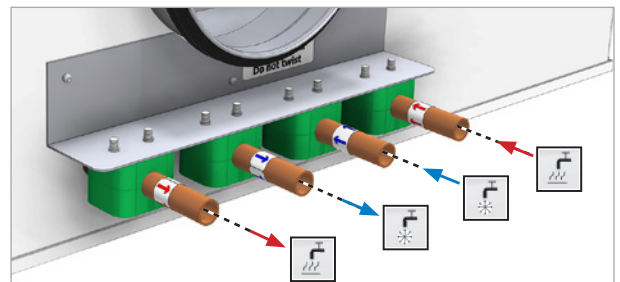
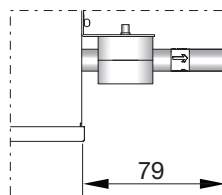
Plexus F 120



F-120: 2-pipe battery (standard).



F model: 2-pipe battery (standard).



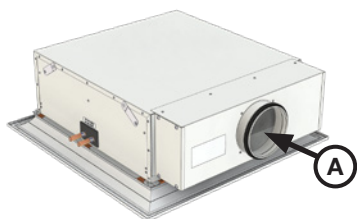
F model: 4-pipe battery (plus-feature).

Quick Installation Guide

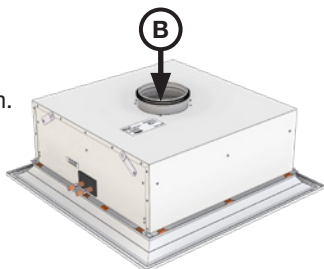
Plexus

Possible connections supply air

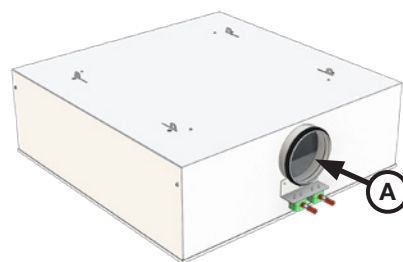
Plexus I-60
A: Ø125 mm.



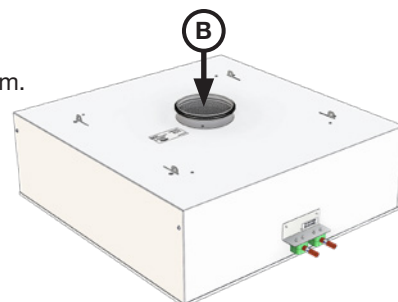
Alternatively:
B: S Ø125 mm,
B: L/M/H Ø160 mm.



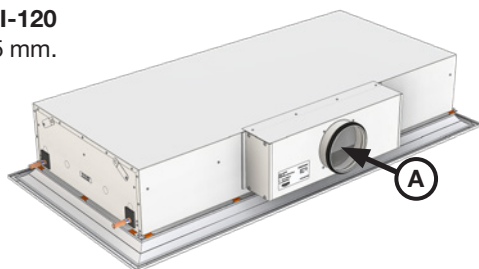
Plexus F-60
A: Ø125 mm.



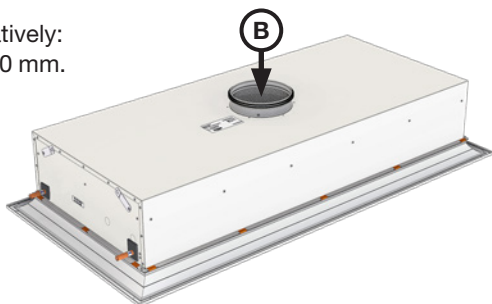
Alternatively:
B: S Ø125 mm.
B: L/M/H Ø160 mm.



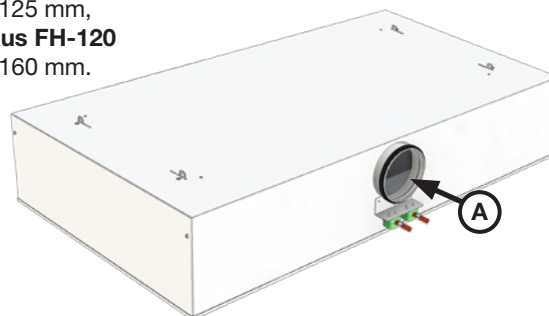
Plexus I-120
A: Ø125 mm.



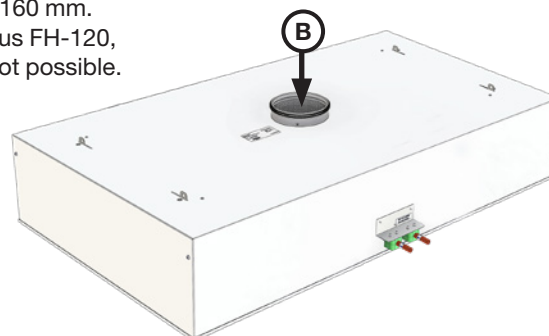
Alternatively:
B: Ø160 mm.



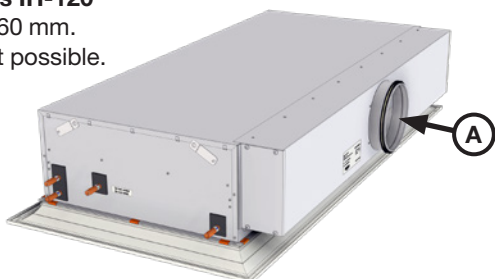
Plexus F-120
A: Ø125 mm,
Plexus FH-120
A: Ø160 mm.



Alternatively:
B: Ø160 mm.
Plexus FH-120,
B: Not possible.



Plexus IH-120
A: Ø160 mm.
B: Not possible.



Quick Installation Guide

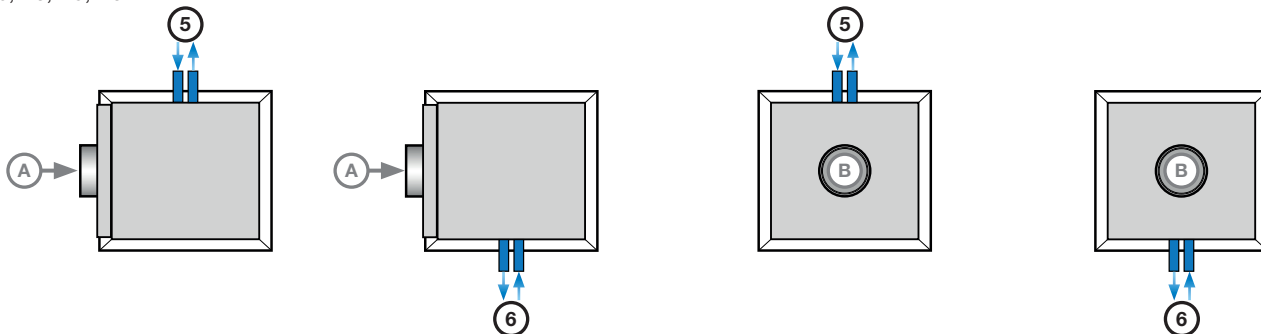
Plexus

Water in- and outlet connections

Possible connections water cooling or heating (2-pipe, standard).

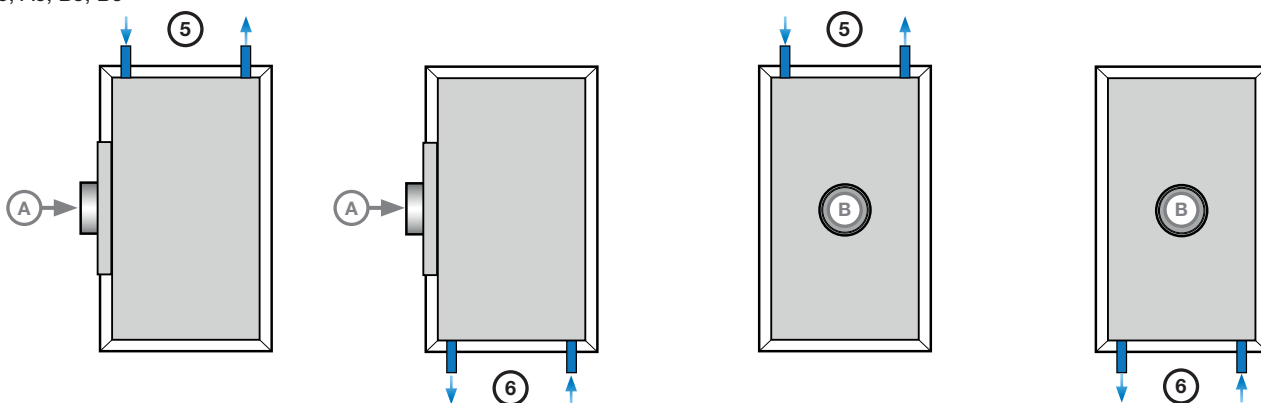
Plexus I-60

A5, A6, B5, B6



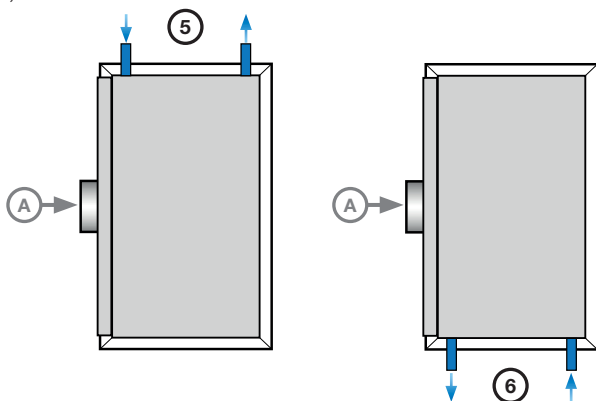
Plexus I-120

A5, A6, B5, B6



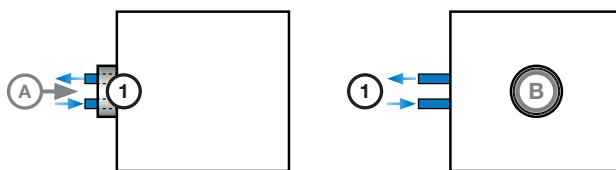
Plexus IH-120

A5, A6



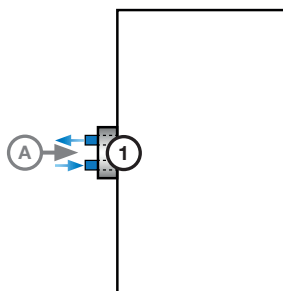
Plexus F-60

A1, B1



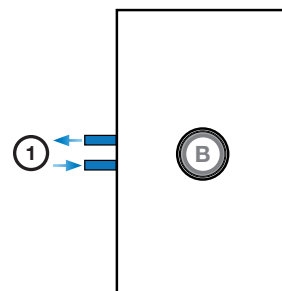
Plexus F-120 / FH-120

A1



Plexus F-120

B1



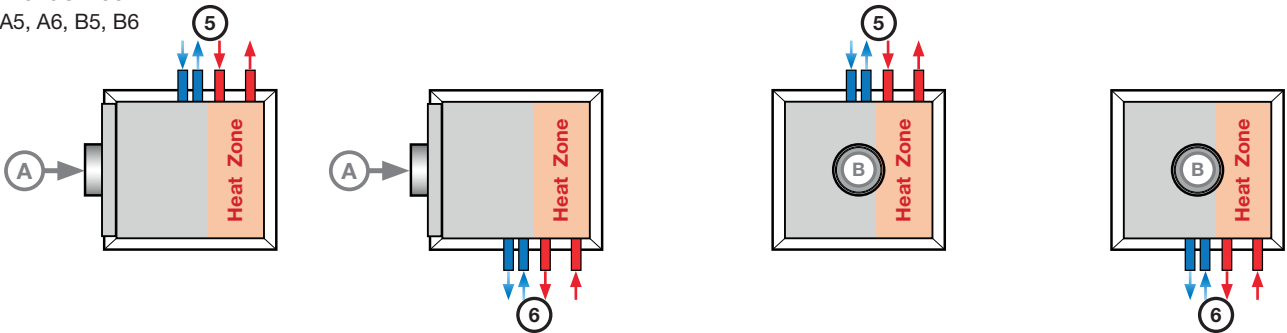
Quick Installation Guide

Plexus

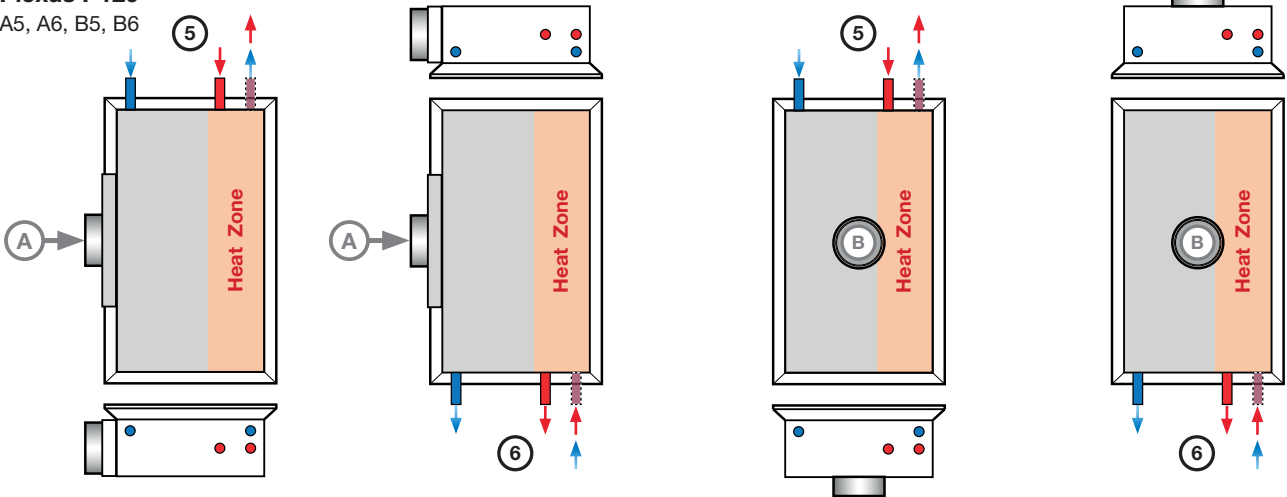
Water in- and outlet connections

Possible connections water cooling and heating (4-pipe, Plus feature).

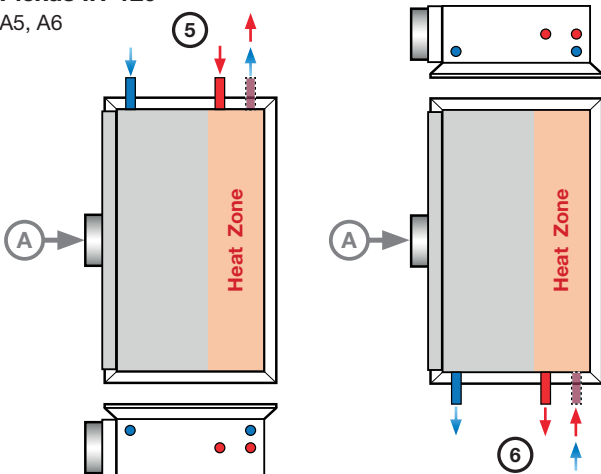
Plexus I-60
A5, A6, B5, B6



Plexus I-120
A5, A6, B5, B6



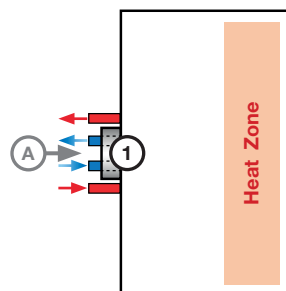
Plexus IH-120
A5, A6



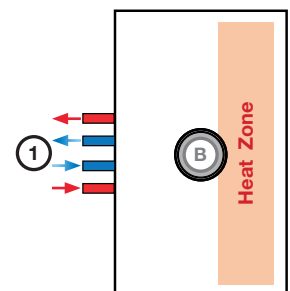
Plexus F-60
A1, B1



Plexus F-120 / FH-120
A1



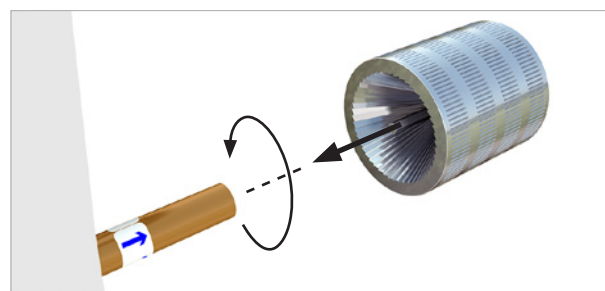
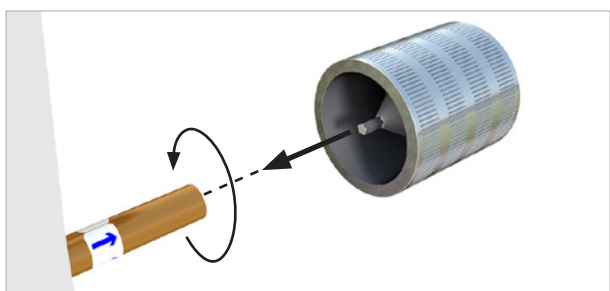
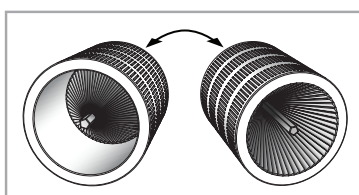
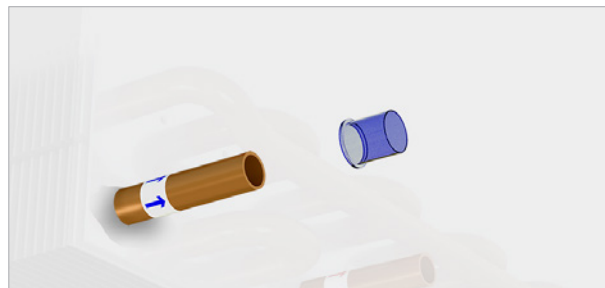
Plexus F-120
B1



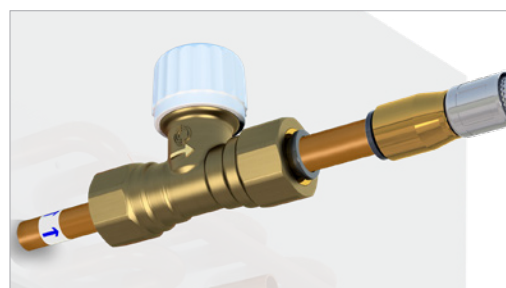
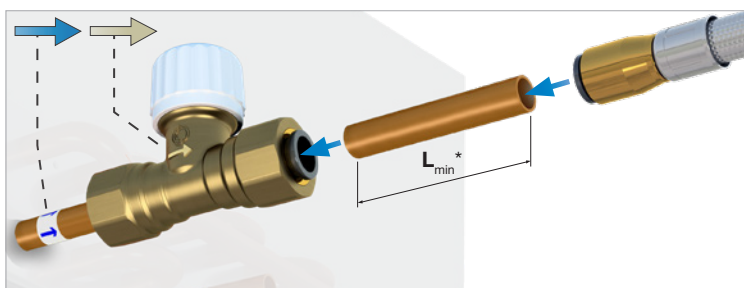
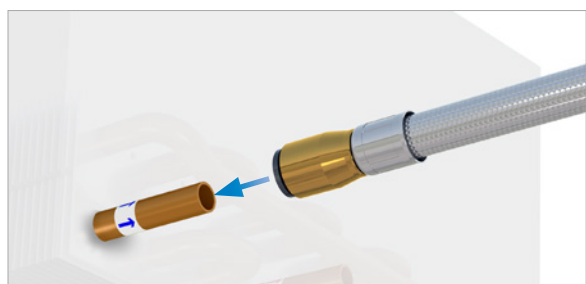
Quick Installation Guide

Plexus

Before installation



Flexible hoses and Push-on valves



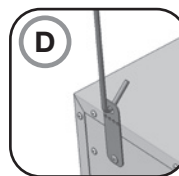
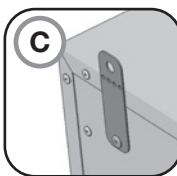
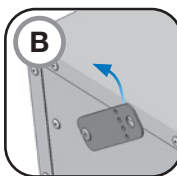
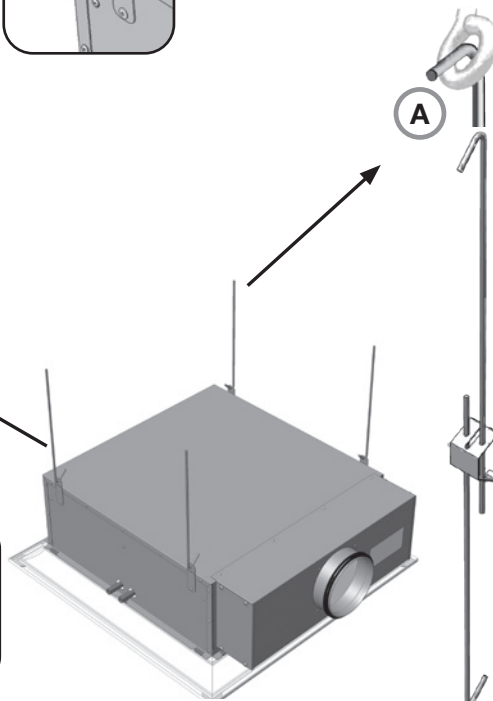
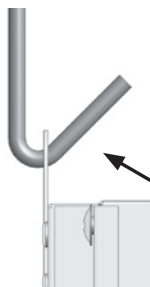
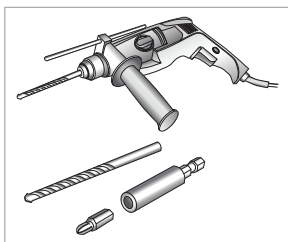
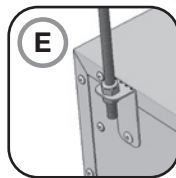
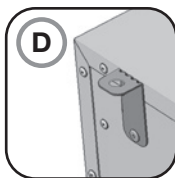
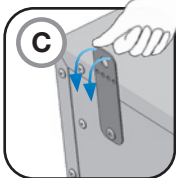
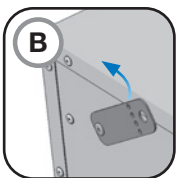
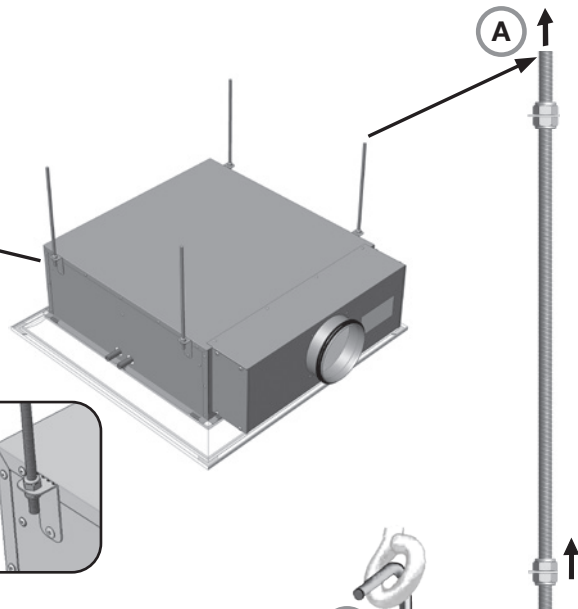
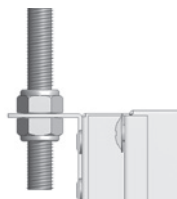
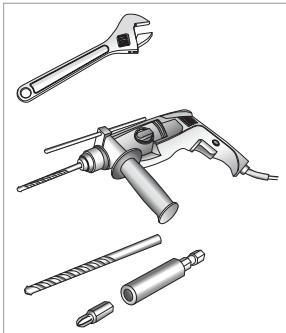
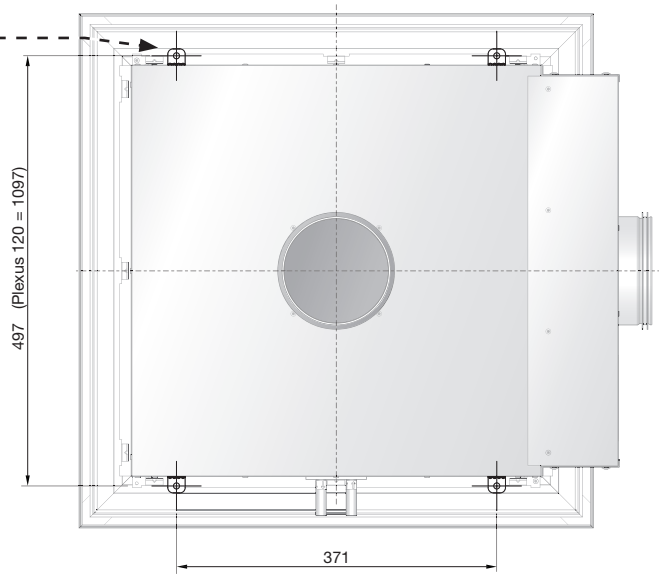
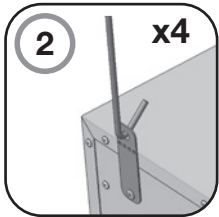
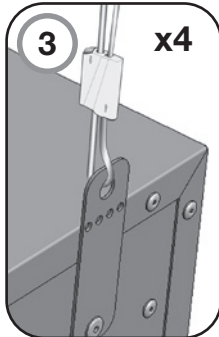
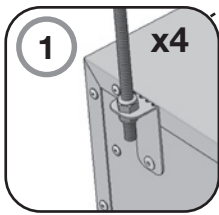
* $L_{min} = 70 \text{ mm}$ (to ensure you can open the couplings again).

Lindab flexible hoses are available with straight end (male) for direct connection to Lindab valves also.

Quick Installation Guide

Plexus

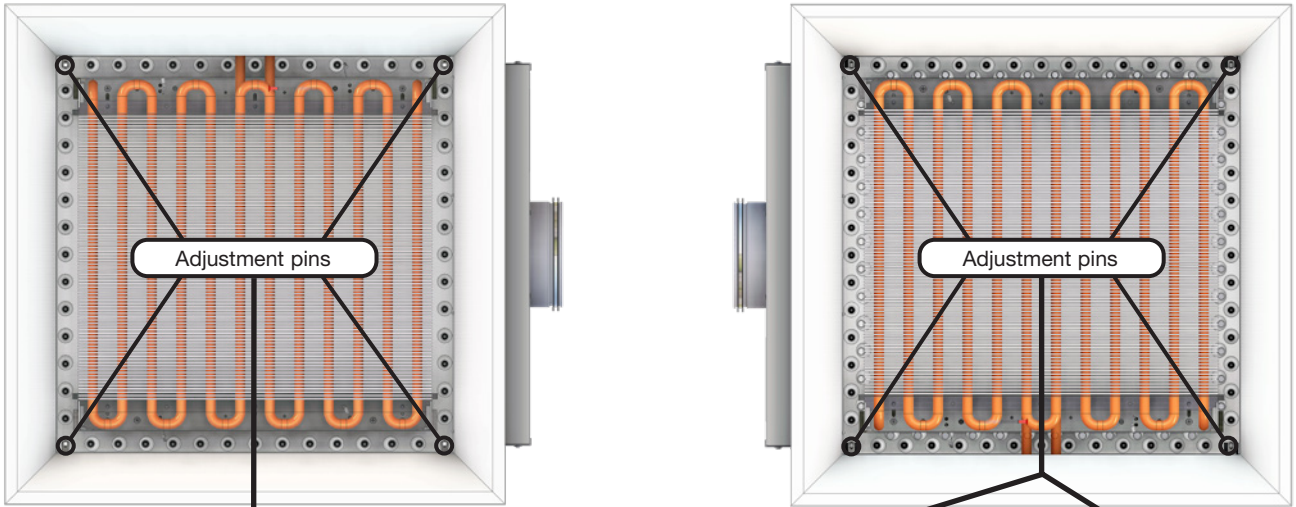
Installation



Quick Installation Guide

Plexus

JetCone adjustment



plastic pin 1 x 4

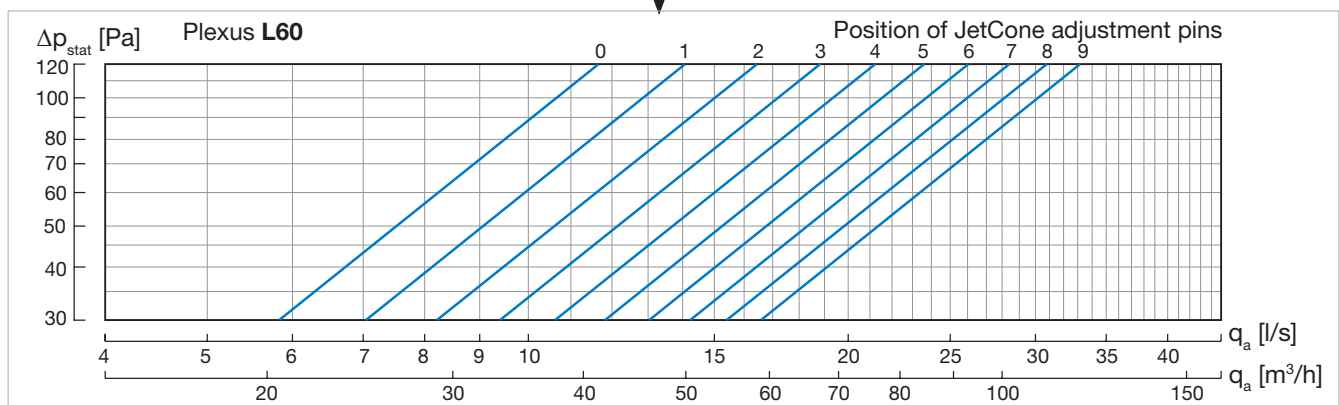
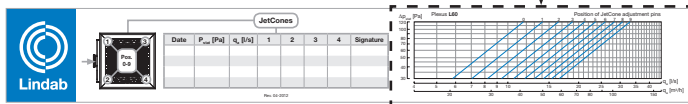
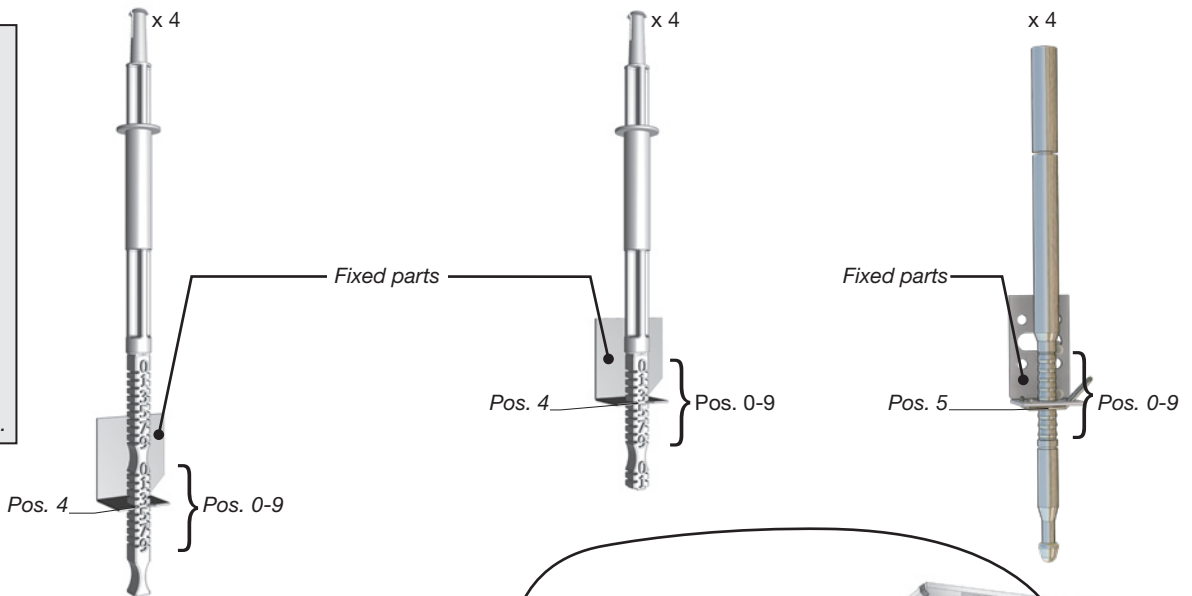
plastic pin 2 x 4

aluminium pin x 4

Pos. 0
Max. closed
nozzle setting
(20% air flow).

Pos. 5
Standard
setting
(50% open).

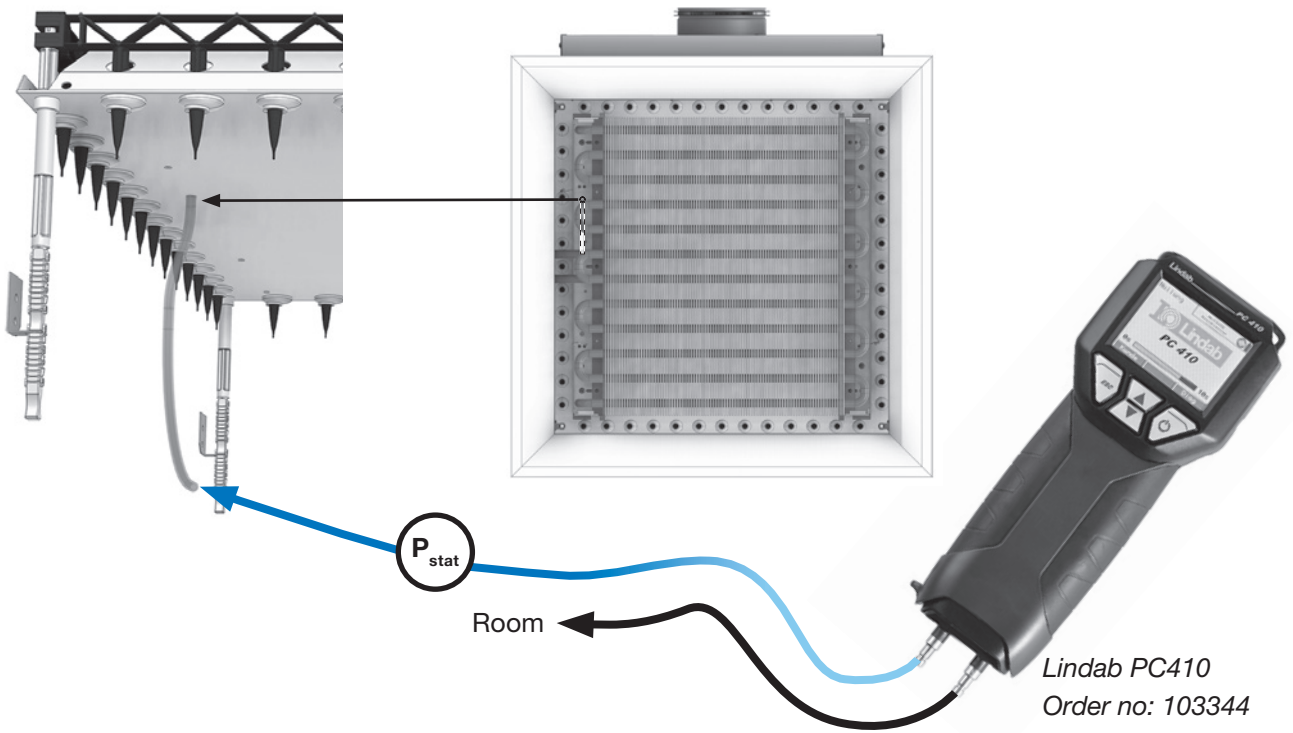
Pos. 9
Max. open
nozzle setting
(100% air flow).



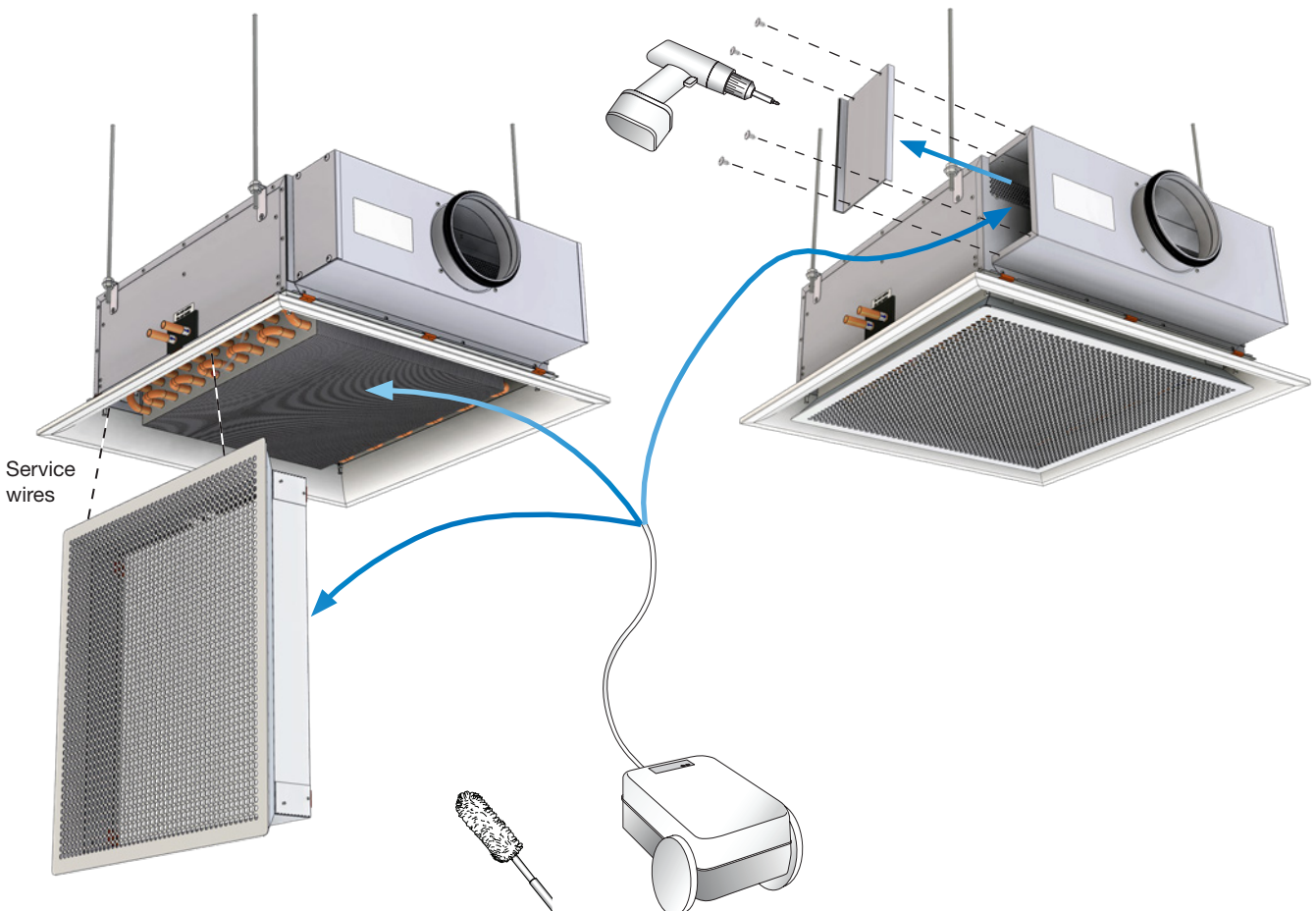
Quick Installation Guide

Plexus

Measuring static nozzle pressure



Maintenance





Most of us spend the majority of our time indoors. Indoor climate is crucial to how we feel, how productive we are and if we stay healthy.

We at Lindab have therefore made it our most important objective to contribute to an indoor climate that improves people's lives. We do this by developing energy-efficient ventilation solutions and durable building products. We also aim to contribute to a better climate for our planet by working in a way that is sustainable for both people and the environment.

[Lindab](#) | For a better climate